

# HUATO

## S380WS Series

User Manual



S380WS

Chapter 1. S380WS Data Logger Hardware .....	3
1.1 Introduction .....	3
1.2 Features .....	3
1.3 Model .....	3
1.4 Appearance (S380WS) .....	4
1.5 Screen (S380WS) .....	4
1.6 Install battery .....	5
Chapter 2. Logpro Software .....	6
2.1 The Requirement of the Computer Hardware .....	6
2.2 Install Driver & Software .....	6
2.3 Setting the Logger's Properties .....	7
2.4 Properties Description .....	8
Chapter 3. Attention .....	9
Chapter 4. FAQ .....	9
4.1 LCD Screen Dim .....	9
4.2 Recording (LOG) are Automatically Stop .....	9
4.3 Software "Runtime Error" .....	9
4.4 Check COM Port Number .....	9

# Chapter 1. S380WS Data Logger Hardware

## 1.1 Introduction

HUATO S380-WS data logger comes with large capacity, up to 120,000 readings. It can record at last for one year's data base on sampling frequency of 10minutes, also very safe. It comes with matched software for data download and transfer to computer when needed. Besides user can set the log time, sampling interval, and logging interval by software.

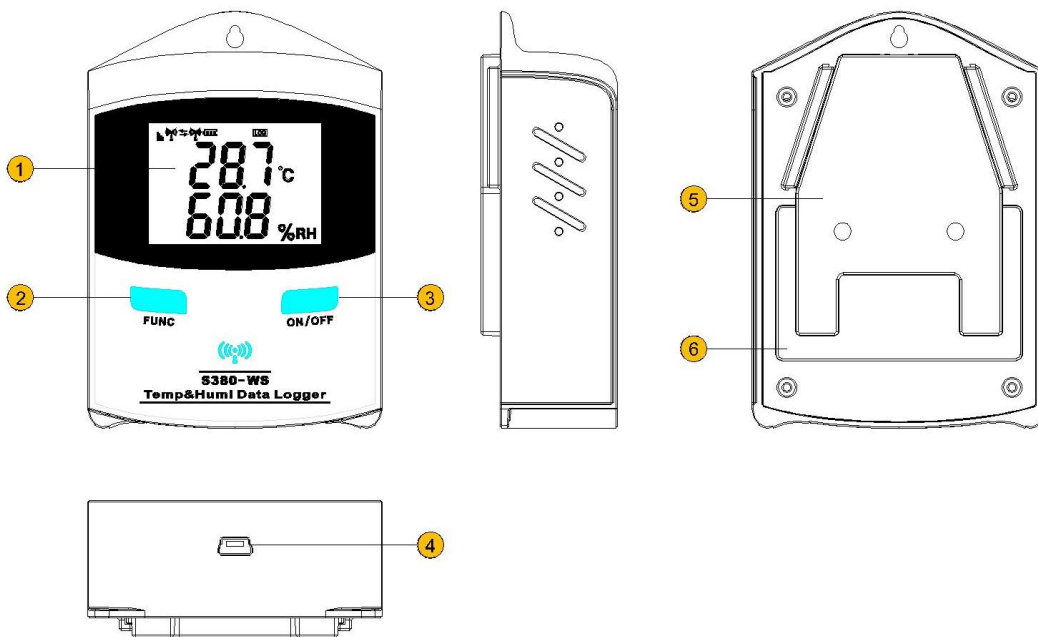
## 1.2 Features

- Logging interval: 60 second ~ 6 hours.
- Logging protection: Logging will stop when battery is low. The value can be saved forever safely.
- Display Resolution: temperature: 0.1°C / humidity: 0.1%RH
- Interface: USB Port.
- Dimension: 97 \* 68 \* 32 mm.
- Wireless antenna: Built-in
- Installation: Wall-mounted with fixed support, easy to use and convenient to maintain.
- Battery: 2 x ER14505 (3.6V AA Size) Non-rechargeable Lithium Battery

## 1.3 Model

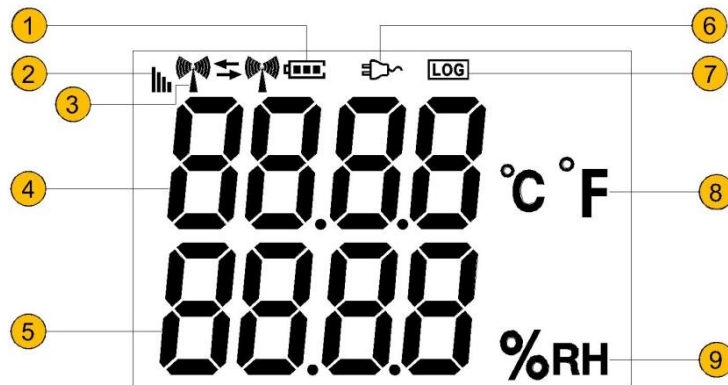
Model	Measurement Accuracy	Measurement Range	Probe Type (T:Temperatur; H:Humidity)	Capacity of Records
S380WS	±0.5°C/±5%RH	-20~70°C 0~100%RH	T&H	120, 000

## 1.4 Appearance (S380WS)



- ① LCD Display
- ② ON/OFF(Log)
- ③ ON/OFF(Power)
- ④ USB Interface
- ⑤ Wall-mounted Back Cover
- ⑥ Power Back Cover

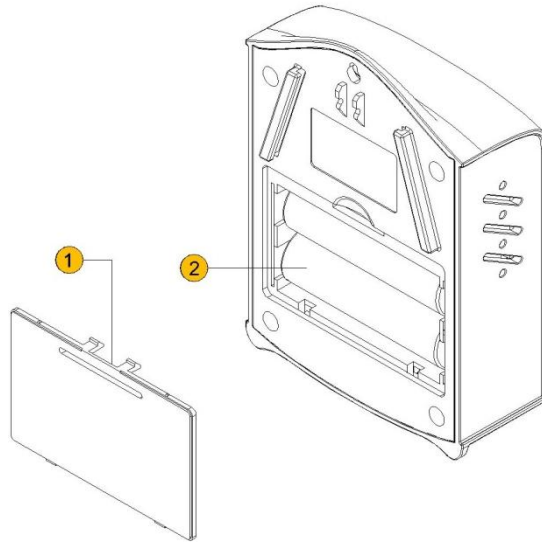
## 1.5 Screen (S380WS)



- ① Power Symbol
- ② Signal Symbol
- ③ Wireless Symbol
- ④ °C/°F Display
- ⑤ RH Display
- ⑥ DC power Symbol
- ⑦ LOG (Recording) Status Symbol
- ⑧ Selectable °C/°F Symbol
- ⑨ Humidity Symbol

## 1.6 Install battery

1. Take out the back cover as the indication symbol **1**,
2. Install 2 x ER14505 (3.6V) Lithium batteries **2**.



## Chapter 2. Logpro Software

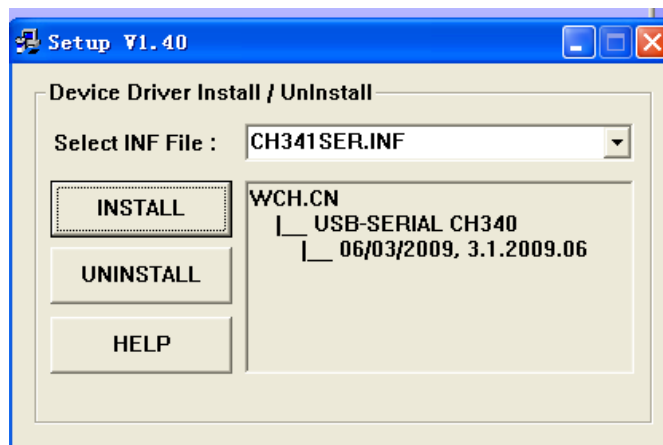
### 2.1 The Requirement of the Computer Hardware

1. OS: Windows XP/Vista/7/8 (32/64bit)
2. CPU: 1.6GHz
3. Physical Memory: 512MB
4. Hard-drive Space: 4 GB
5. USB Port: 1

### 2.2 Install Driver & Software

1. Install Driver

Notice: Windows 64bit please install 64bit-driver.

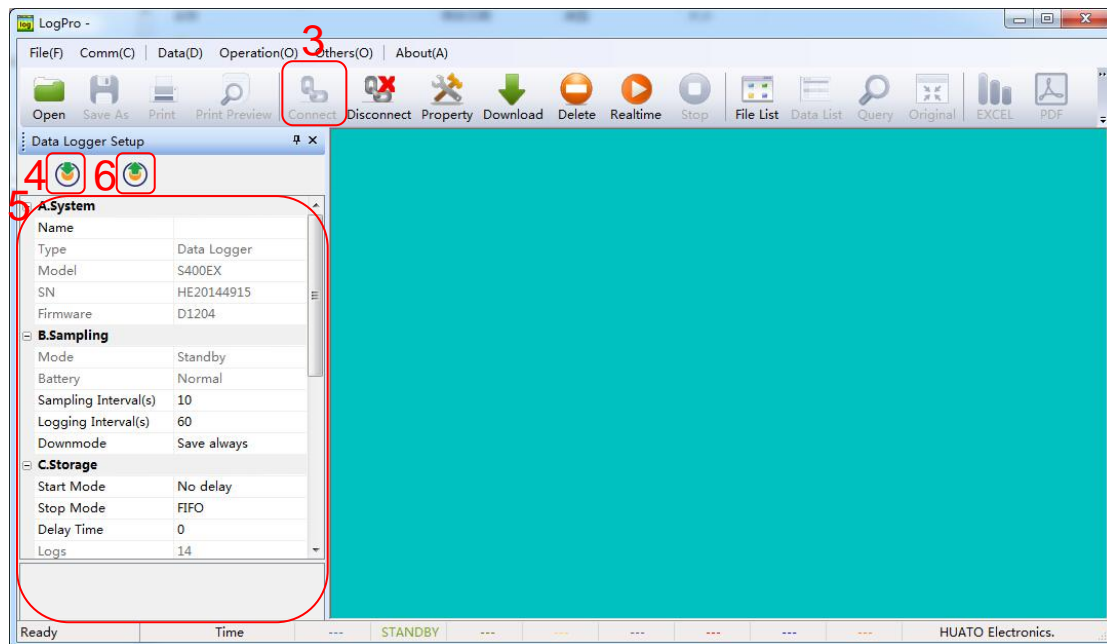


2. Install Logpro Software

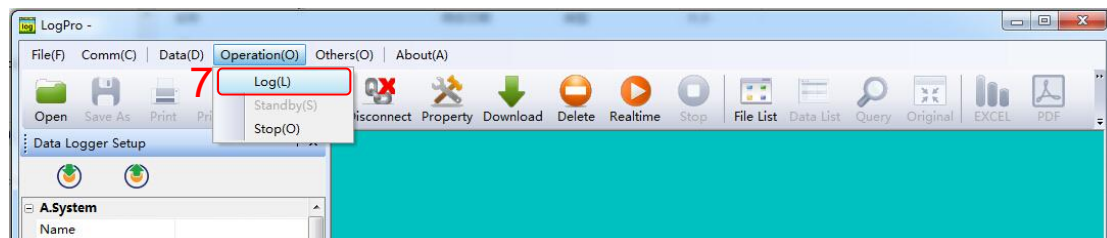
Notice: Please Install Logpro Software in D:\

## 2.3 Setting the Logger's Properties

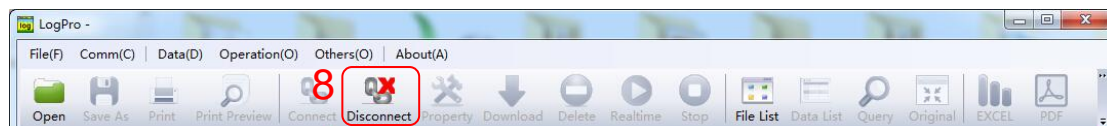
1. Connect the data logger to the computer.<sup>3</sup>
  2. Running Logpro software on the PC.
  3. From the toolbar select Connect.<sup>4</sup>
  4. Read the logger's properties.
  5. Set the properties.
  6. Sync the properties & time. (The PC time will be synchronized to the logger as well.)
- Now, the data logger is in Standby mode<sup>5</sup>.



7. Press Log button on Meun, start recording.



8. From the toolbar select Disconnect



9. Unplug the logger from the Computer USB Port.

<sup>3</sup> The windows operating system cannot handle USB devices being unplugged and plugged back too fast. When unplugging the logger, wait for about 5 seconds before plugging it in again. If you unplug and plug back a device too quickly, the computer may stop recognizing any USB devices on that port. If this happens you will have to restart the computer. This is a windows USB problem and is not related to Logpro.

<sup>4</sup> If more than one logger is connected to your computer at the same time, the program will ask you to choose COM port manually.

<sup>5</sup> The logger has three modes: 1.LOG: In the mode, the logger samples and records data timely. 2.Standby: In the mode, the logger stops to sample and record, and the LCD display is ON. 3.OFF: In the mode, the logger stops to sample and record, and the LCD display is off. Logpro cannot connect to the logger also.

## 2.4 Properties Description

Property	Text	Description
Name	English Letters or Numbers	Name of the logger
SN	10 Characters	Must be the same as the one in the label of logger.
Sampling Interval (s)	Number from 1 to 240	Sampling frequency in LCD screen
Logging Interval (s)	Number from 2 to 86400	Logging frequency / S400 Upload frequency
Down Mode		(Cannot be changed)
Start Mode		(Cannot be changed)
Delay Time		(Cannot be changed)
Stop Mode	First In First Out	When recording memory is full, the logger will delete the earliest data
	Stop When Full	When recording memory is full, the logger will stop record new data
Logs		The count of records in the memory.
Total		The total capacity of the logger's storage.
Alarm		Turn ON / OFF the Data Logger's Over Limit Alarm
LCD		Please choose ON
Power		Please choose Normal
High & Low Limit	CH1: Temperature CH2: Humidity / Temperature2	When the value over the limit, the buzz will sound / red LED will flash an alarm.
Offset <sup>6</sup>		Input positive number to decrease the value. Input negative number to increase the value.

<sup>6</sup> Calibrate the logger: The logger is factory calibrated to an accuracy given in the device specifications. However, there may be times when you wish to adjust the calibration of your logger. Logpro provides you with the ability to perform a single point offset calibration. This calibration can be used to increase the accuracy of the logger for a restricted data range.



## Chapter 3. Attention

- S400W / S380WS Series Data Logger are not waterproof. Do not connect loggers with computer when the logger is on water.
- S400W / S380WS Series Data Logger plastic shell is ABS, flame retardant, not resistant to acid and alkali.
- If repair is needed, only authorized technician could do the repair.
- AA alkaline battery (1.5V) is not rechargeable.
- ER14505 lithium battery (3.7V) is not rechargeable.
- USB power supply (5V) cannot let the Data Logger work.

## Chapter 4. FAQ

### 4.1 LCD Screen Dim

Reason:

- Insufficient battery or the environment temperature is too low or too high.

Solution:

- In the case of insufficient battery, please replace the battery. If resulted from environment temperature, please immediately take the logger out of the environment.

### 4.2 Recording (LOG) are Automatically Stop

Reason:

- When the battery level is low, there will not be sufficient power to support recording function of the logger.

Solution:

- Replace the battery.

### 4.3 Software "Runtime Error"

Reason:

- OS forbid software creating files.

Solution:

- Run the program (software) as an administrator.
- Install software in Disk D:\
- A data logger name cannot contain any of the following characters: \ / : \* ? " < > |
- Software's installation path cannot include Chinese character or garbage character.

### 4.4 Check COM Port Number

- Press "Win" + "R" in keyboard -> Run "devmgmt.msc" to Open "Device Manager" in Windows-> Expand "Ports (COM & LPT)" -> "USB-SERIAL CH340 (COM No.)" is the Data Logger